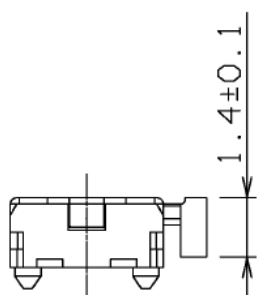
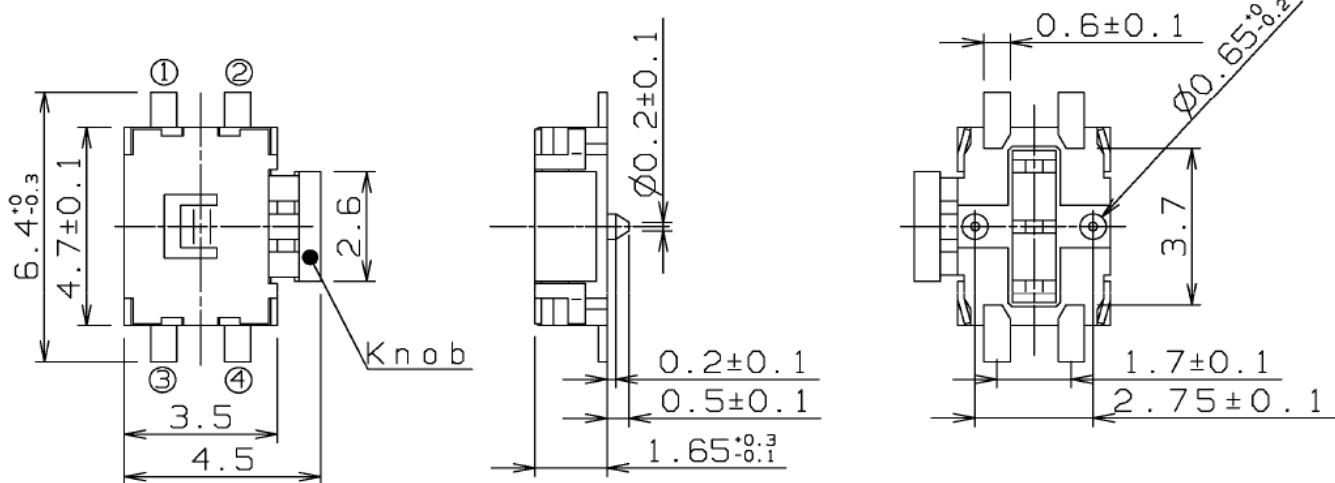


General dimension tolerance:  $\pm 0.2$

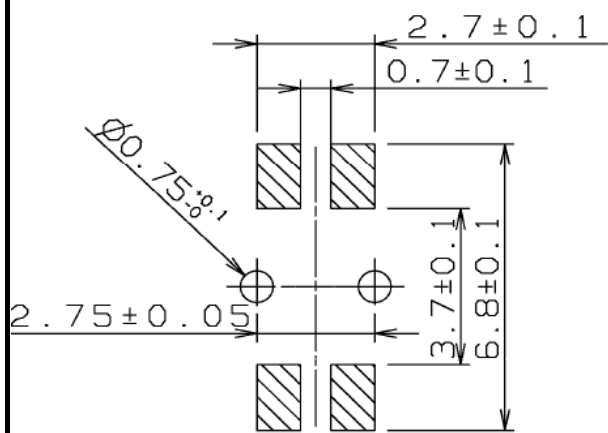
( ) dimensions are reference dimensions.



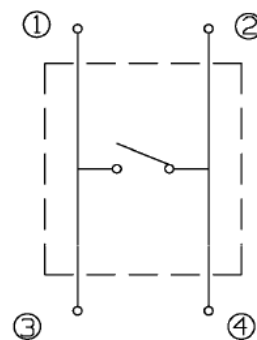
Knob color : BLACK

Piece weight : 0.07g

Solder thickness  $t = 0.15 \pm 0.03$



Land pattern plan



Circuit Diagram



銓基電子股份有限公司  
ROKI ELECTRONICS CO., LTD.

PART NAME : TACT SWITCH

SCALE :

PART NO : TS140M-□□-P-PF

UNIT : mm

TOLERANCE : mm



VER : R01